

**LESSON**  
**1.1**
**Practice C**
*For use with the lesson "Evaluate Expressions"*
**Evaluate the expression.**

1.  $5y$  when  $y = 6$
2.  $18 - x$  when  $x = 7$
3.  $0.4a$  when  $a = 32$
4.  $4 + m$  when  $m = 9.7$
5.  $h - 3$  when  $h = 5.1$
6.  $48 \div g$  when  $g = 3$
7.  $\frac{x}{8}$  when  $x = 72$
8.  $\frac{60}{d}$  when  $d = 1.5$
9.  $\frac{4}{9} \cdot t$  when  $t = \frac{7}{16}$
10.  $2x + y$  when  $x = 3$  and  $y = 2$
11.  $\frac{m}{5} - n$  when  $m = 4$  and  $n = \frac{2}{3}$
12.  $\frac{12b}{a}$  when  $a = 2.4$  and  $b = 0.6$
13.  $\frac{4.5x}{y}$  when  $x = 8.4$  and  $y = 1.5$

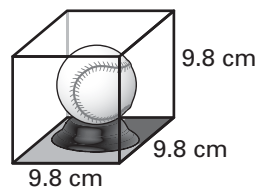
**Evaluate the power.**

14.  $(0.5)^4$
15.  $\left(\frac{1}{3}\right)^5$
16.  $\left(\frac{4}{5}\right)^3$

**Evaluate the expression.**

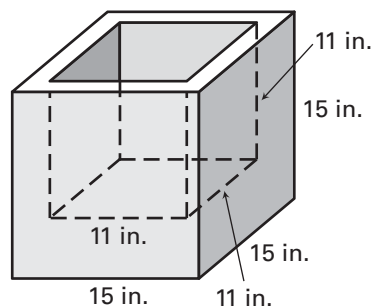
17.  $6^x$  when  $x = 3$
18.  $(4y)^2$  when  $y = 5$
19.  $(a - b)^5$  when  $a = 10$  and  $b = 6$
20.  $4m + n^3$  when  $m = 7$  and  $n = 10$
21.  $3x^4 + 2y$  when  $x = 5$  and  $y = 13$
22.  $(3y)^2 - x^2$  when  $x = 9$  and  $y = 4$

- 23. Baseball Display** A baseball display case is in the shape of a cube. What is the volume of the display case if the side length is 9.8 centimeters?



- 24. Sales Tax** An item costs  $c$  dollars and 6.25% sales tax is charged. The total cost including sales tax is given by the expression  $1.0625c$ . You are buying a skateboard that costs \$82. What is the cost of the skateboard including sales tax? Round your answer to the nearest cent.

- 25. Planter** You are creating concrete planters for a garden border by placing the concrete in a large cube and then placing a smaller cube inside. The amount of concrete you need can be found using the expression  $V - v$  where  $V$  is the volume of the larger cube and  $v$  is the volume of the smaller cube. How much concrete do you need to make one planter?



- 26. Music** A music store sells new CDs for \$13.95 and used CDs for \$6.50. The total cost of buying  $x$  new CDs and  $y$  used CDs can be found using the expression  $13.95x + 6.50y$ . You buy 3 new CDs and 4 used CDs. Find the total cost.