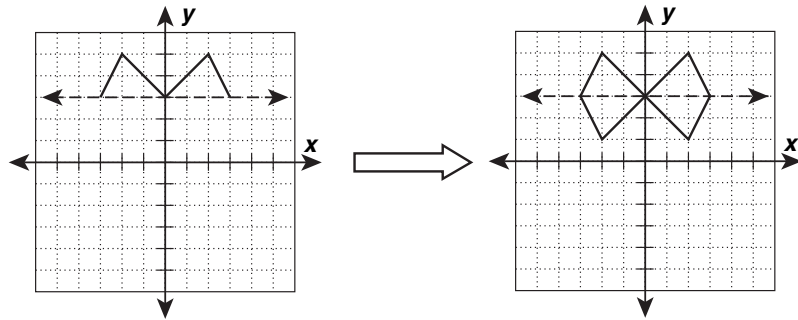


SKILL
40 **Skills Readiness**
Symmetry

Definition: If a plane figure can be folded across a line so that its two halves are exactly the same, then the figure has line symmetry. Some figures have only one line of symmetry, some have more than one, and some have none.

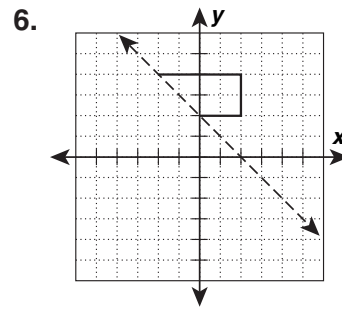
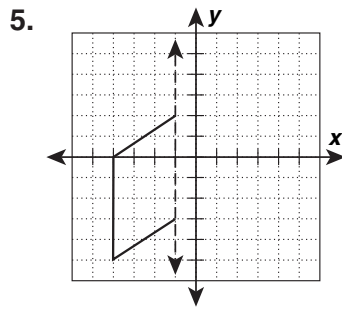
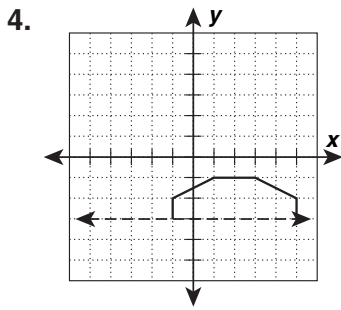
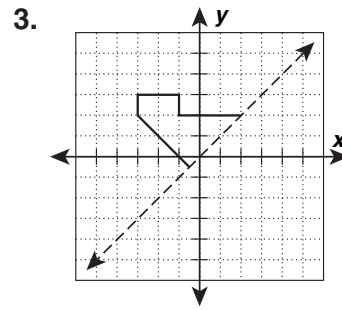
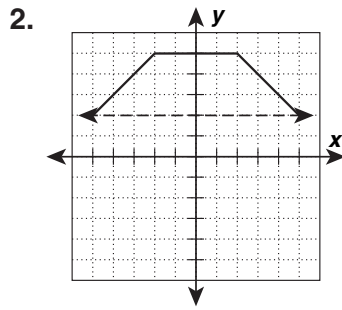
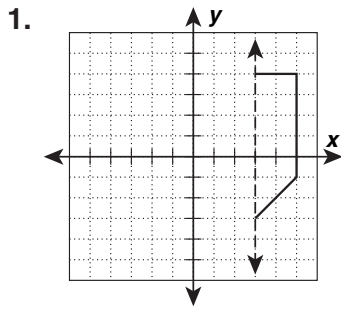
Example: Copy the graph and use the line of symmetry to complete the figure.

Answer: Copy the figure so that the image below the line is exactly the same as the image above the line.



Practice on Your Own

Copy the graph and use the line of symmetry to complete the figure.



Check

Copy the graph and use the line of symmetry to complete the figure.

